

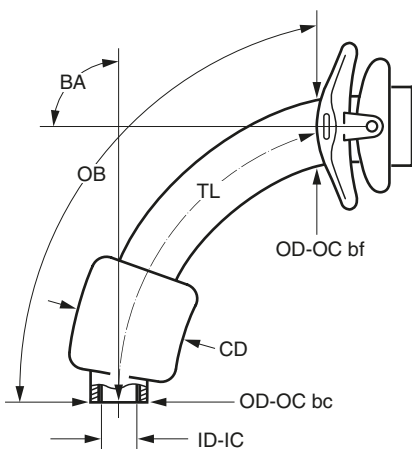
# Technical Data

## TRACOE twist

REF 301, REF 302, REF 303,  
REF 304, REF 306, *in sizes 04 – 10*

REF 888-306 *in sizes 06 – 10*

REF 301-P, REF 302-P,  
REF 306-P, REF 888-306-P *in sizes 07 – 09*

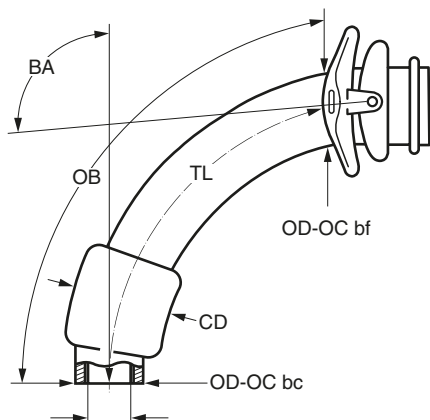


Size	ID-IC mm	OD-OC bc mm	OD-OC bf mm	TL mm	OB mm	BA °	CD mm
04	4.0	7.2	8.6	59	63.0	110	15
05	5.0	8.6	10.1	66	73.0	100	18
06	6.0	9.2	10.8	72	79.5	95	23
07	7.0	10.4	12.0	74	80.5	95	26
08	8.0	11.4	12.7	76	83.0	90	28
09	9.0	12.5	14.2	78	88.5	90	30
10	10.0	13.8	15.2	80	89.5	90	32

To order, please specify: **REF + Size**, e.g. **REF 301-09**

## TRACOE twist plus

REF 311, REF 312, REF 313, REF 314, REF 316, REF 888-316,  
REF 311-P, REF 312-P, REF 316-P, REF 888-316-P



Size	ID-IC mm	OD-OC bc mm	OD-OC bf mm	TL mm	OB mm	BA °	CD mm
07	7.0	9.8	10.1	85	91	100	26
08	8.0	10.8	11.1	88	95	100	28
09	9.0	11.8	12.1	90	99	100	30
10	10.0	12.8	13.1	92	102	100	32

To order, please specify: **REF + Size**, e.g. **REF 311-09**

**ID-IC:** inner diameter (clear width) at bottom of inner cannula; **OD-OC bc:** outer diameter at bottom of outer cannula; **OD-OC bf:** outer diameter of outer cannula behind the flange; **TL:** length along center line from start of neck flange to bottom of tube; **OB:** length along outer bend from start of neck flange to bottom of tube; **BA:** bending angle; **CD:** cuff diameter